
**Flexible Optional Lenses**

Besides the standard lens, the WL2650U is also engineered to use various optional lenses. Choose the lens that best fits your installation parameters.



OL-XL2550MZ


**NEW PORTABLE WXGA PROJECTOR**

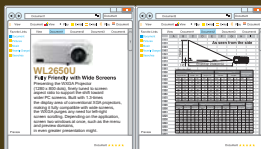
# WL2650U

*Optimum installation every time.*

*The newly evolved WXGA Projector.*

**Native Wide Screen WXGA**

Presenting the WL2650U, a native WXGA projector (1280x800) that is finely tuned to support the shift towards wider PC aspect ratios. Built with 1.3-times the display area of conventional XGA projectors and support for a wider resolution, you now have the ability to view multiple application windows simultaneously and reduce the need for annoying left-right screen scrolling.



Display multiple application windows side-by-side, eliminating the need for left-right screen scrolling



Now view wide-screen broadcasts in all their natural glory.

Depending on the application, screen two windows at once, such as the menu and preview domains, in even greater presentation might. DVD images may also be replayed as-is, free of compression.

**Ultra Quiet**

Fan noise is barely perceptible at 29dBA (at "lamp Low" mode). Your audience will not be distracted by a noisy projector and can focus all their attention on your presentation

**Noise Level Examples**

Quiet house late at night	Whispering voices	Daytime residential district
29dBA	30 - 40dBA	40dBA and above

**Long Lamp Life**

With an optimal lamp design to help control overall lamp temperature, the WL2650U can achieve an estimated lamp life of up to 4,000 hours\*1. This makes dramatic reductions in overall replacement lamp costs, as well as reduce overall operating maintenance time and costs\*2.

**Lamp Replacement Frequency\*2**

2,000-hour lamp	Mounted lamp	1st replacement
4,000-hour lamp	Mounted lamp	Reduced running cost.
	2,000 hours	4,000 hours

(\*1): When used at the low lamp mode. Maximum lamp life at standard mode use is 2,000 hours. (\*2): Lamp life refers to the average time required for brightness to be reduced by half, and not the time specified in the warranty. Use time may vary widely by the environment and conditions, and whether or not cleaning and other maintenance procedures are followed.

**Convenient Side-Access Lamp Design**

Designed with a convenient side access lamp design, necessary lamp replacements are simplified and does not require the projector to be removed from a ceiling mount or turned upside down when resting on a tabletop.


**Anti-Theft Security Hook**

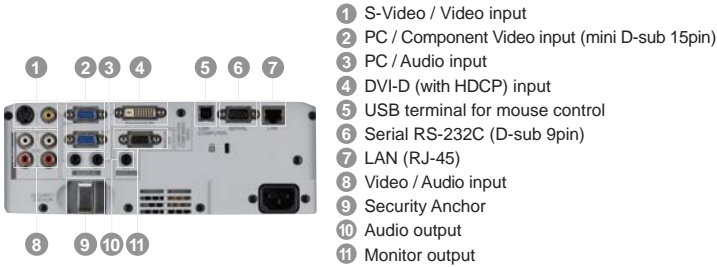
A robust key-lock chain can be passed through the anti-theft security hook. This reliable anti-theft measure helps prevent and deter any unauthorized removal of the projector from the premises



Note: Mitsubishi Electric cannot accept responsibility for thefts occurring despite use of this safety feature.

PORTABLE  
WXGA  
PROJECTOR

# WL2650U



Vertical: MAX +/- 35 deg, Horizontal: MAX +/- 25 deg

φ

Video: RCAx1, S-VIDEOx1, Audio: RCA(L,R)x2

φ

## Options

Replacement lamp  
**VLT-XL650LP**



3W mono

333x113x272mm / 13.0x4.5x10.7inch (excluding height adjustment)

4.7kg / 10.4lbs

AC100 - 240V, 50/60Hz

VLT-XL650LP

Ceiling Mount (XL6000CM), Hard Shell Projector Case (XH50-ATAC), Optional lenses:  
Short Throw (OL-XL2550MZ), Long Throw (OL-XL2550LZ), Tele throw (OL-XL2550TZ)

3-Years Parts/Labor, 3-Years Express Replacement Assistance,  
1-Year or 500 hours lamp warranty (whichever comes first)

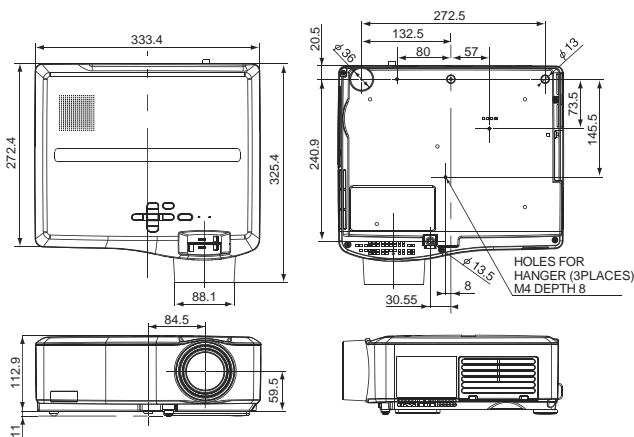
## Optional Lens Line-up

	Short Throw Zoom Lens OL-XL2550MZ	Long Throw Zoom Lens OL-XL2550LZ	Tele Throw Zoom Lens OL-XL2550TZ
Model			
Zoom / Focus	Manual (1.3x)	Manual (1.5x)	Manual (1.5x)
Projection Lens	f=29-37mm F1.7-2.0	f=32-48mm F2.2-2.8	f=48-74mm F2.2-2.7
Throw Ratio	1.8-2.3	1.9-3.0	2.9-4.5

\*BrightEra and BrightEra are trademarks of Sony corporation. \*Compliance with ISO21118-2005.

\*All brand names and product names are trademarks, registered trademarks or trade names of their respective holders.

## Dimensions



Height  
projected  
image  
(Hd)

Height  
projected  
image  
(Hd)

Height  
projected  
image  
(Hd)

The above numbers are approximate, and may be slightly different from the actual measurements.

**MITSUBISHI DIGITAL ELECTRONICS  
AMERICA, INC.**

Presentation Products Division  
Phone: 888.307.0349  
Email: [ppdinfo@mdea.com](mailto:ppdinfo@mdea.com)  
[www.mitsubishi-presentations.com](http://www.mitsubishi-presentations.com)



**MITSUBISHI  
ELECTRIC**

PRESENTATION PRODUCTS

**MITSUBISHI ELECTRIC SALES  
CANADA, INC.**

Display & Imaging Solutions Division  
Phone: 905.475.7728  
[www.mitsubishielectric.ca](http://www.mitsubishielectric.ca)